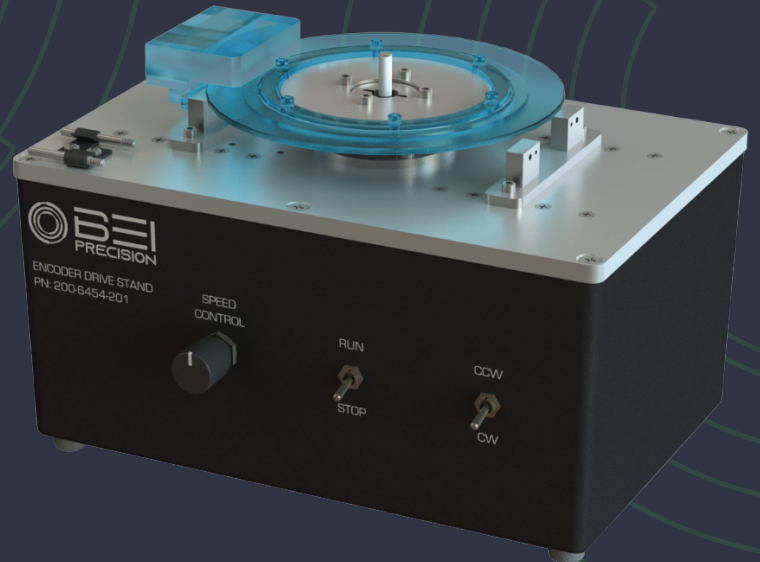


# NANOSERIES® ENCODER DRIVE STAND

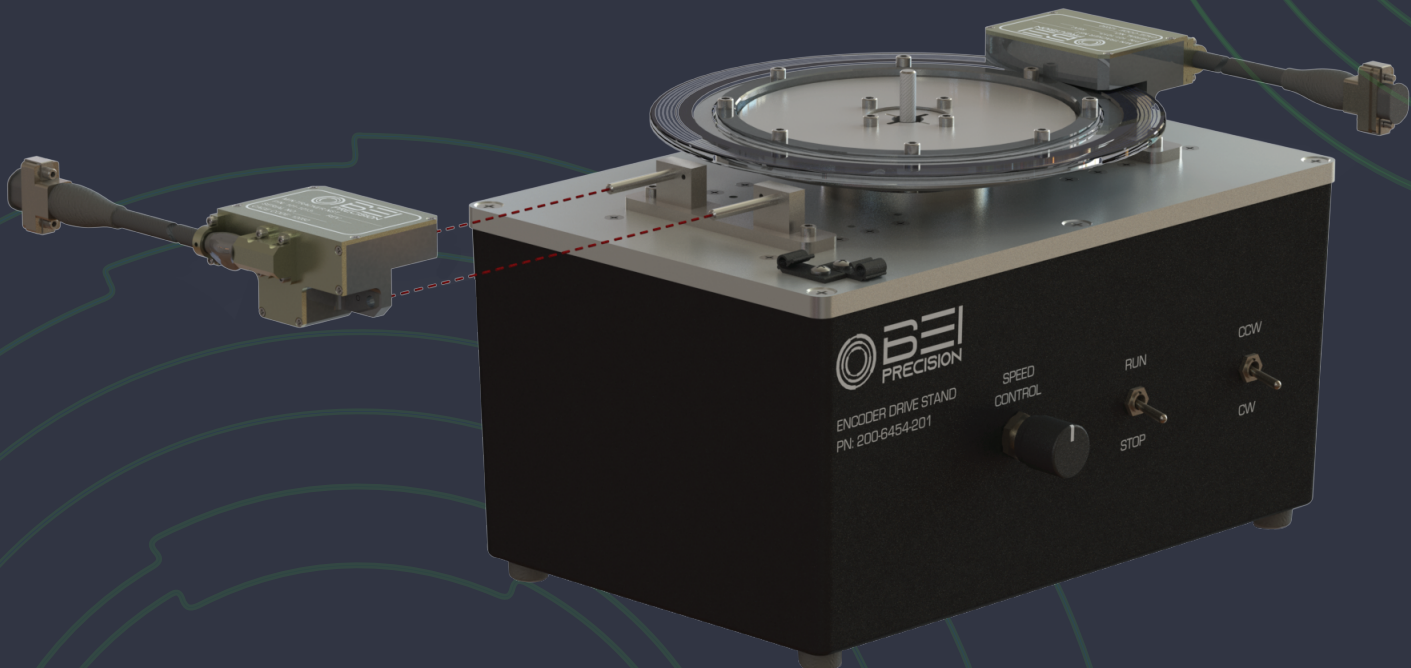


The nanoSeries® Encoder Drive Stand is a laboratory accessory for all nanoSeries® Kit Optical Encoders that provides a means to quickly setup and rotate the code disk for development purposes. The drive stand comes equipped with mounting stations for two readheads, which are pre-positioned per our standard interface control drawing, to mount the required encoder size. Readhead mounting pins are located on top of the drive stand to aid in the safe mounting of encoder readheads. A code disk hub assembly adapter is also provided to mount disks larger than 3" outer diameter. Speed and direction controls are clearly labeled on the front of the drive stand, which is powered by a standard AC line cord. The spindle driving gear can be disengaged to enable free-spinning rotation by lifting the knurled pin on the axis of rotation and rotating 90 degrees with respect to the code disk.

Many customers have found this accessory to be useful when developing system interface firmware. This drive stand, when coupled with BEI Precision's Encoder Interface Kit, provides users all of the tools necessary to have their encoder up and running on the benchtop within minutes.

**FOR MORE INFORMATION CONTACT  
SALES@BEIPRECISION.COM**

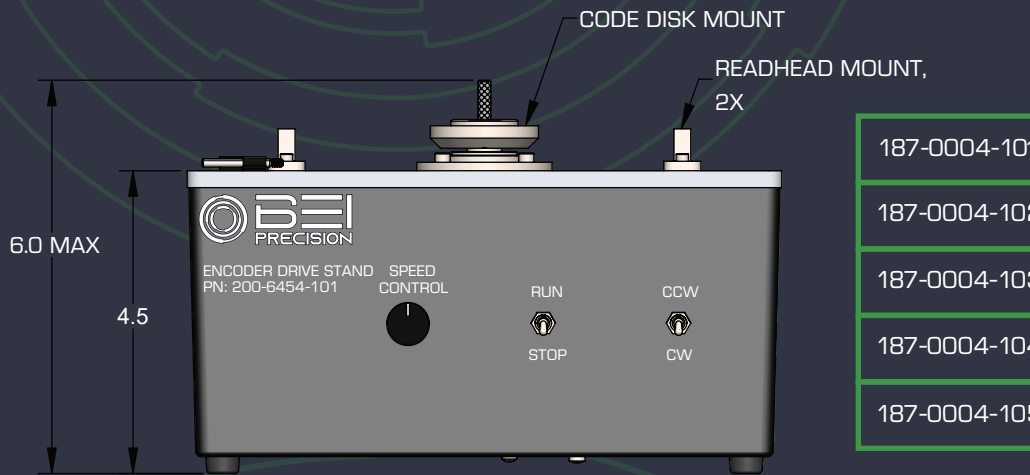
# DRIVE STAND ENCODER INSTALLATION



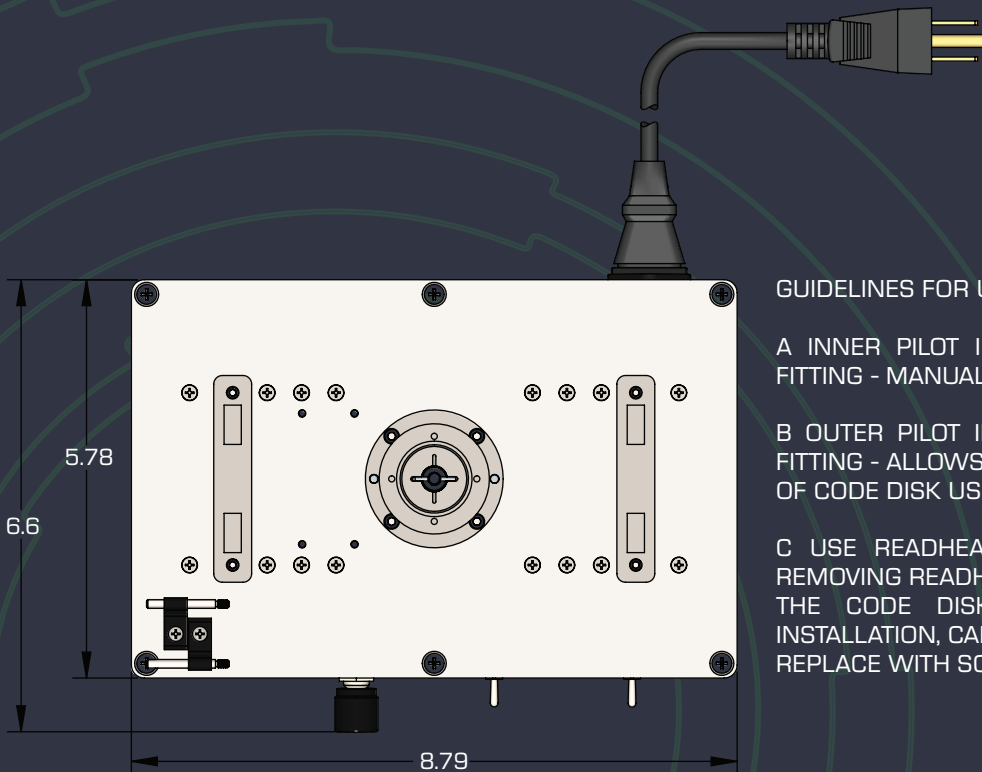
**FOR MORE INFORMATION CONTACT  
SALES@BEIPRECISION.COM**

## ORDERING INFORMATION

ORDER THE DRIVE STAND THAT MATCHES YOUR CODE DISK SIZE.



187-0004-101	nanoSeries Encoder Drive Stand, 3 inch
187-0004-102	nanoSeries Encoder Drive Stand, 4 inch
187-0004-103	nanoSeries Encoder Drive Stand, 5 inch
187-0004-104	nanoSeries Encoder Drive Stand, 6 inch
187-0004-105	nanoSeries Encoder Drive Stand, 7.25 inch



### GUIDELINES FOR USE:

A INNER PILOT INTERFACE ON HUB ADAPTER IS TIGHT FITTING - MANUAL CENTERING IS NOT REQUIRED.

B OUTER PILOT INTERFACE ON HUB ADAPTER IS LOOSE FITTING - ALLOWS FOR PRECISE CENTERING OF CODE DISK USING nanoSeries® ALIGNMENT MODE.

C USE READHEAD GUIDE PINS WHEN INSTALLING OR REMOVING READHEADS TO PREVENT DAMAGING THE CODE DISK OR READHEAD. AFTER READHEAD INSTALLATION, CAREFULLY REMOVE PINS AND REPLACE WITH SCREWS (ITEM 4).

**FOR MORE INFORMATION CONTACT**  
**SALES@BEIPRECISION.COM**